

| | |
|----------|--|
| Client: | |
| Order #: | |
| Project: | |



DESCRIPTION

By providing superior high output and high efficiency, ECLIPSE is the ideal solution for outdoor sports lighting such as municipal, school and semiprofessional outdoor sports lighting. Dynamic thermal management design maximizes heat dissipation and significantly improves the life of luminaires. Built-in surge suppression adds an extra layer of protection to the luminaire driver.

FEATURES

- UL and CUL listed for wet locations
- Available in NEMA 3Hx3V, 4Hx4V, distribution
- CCT options available from 4000K, 5000K and 5700K
- Lumen packages ranging from 49,500lm up to 118,000lm
- Versatile mounting bracket for hassle-free installation

CONSTRUCTION & ELECTRICAL

- Housing is completely sealed against moisture and environmental contaminants (IP65)
- Universal 120-277VAC or Universal High 347-480VAC
- Standard with 0-10V dimming
- Built in surge suppression with max.20KV @ 120-277V (Max. 40KV @277-480V)
- Power Factor >90%, THD <20%
- Ambient operating temperature -40°C to 55°C (-40°C to 131°C)

PERFORMANCE DATA

CRI

70+

CCT

4000K, 5000K, 5700K

Projected Lifetime

>100,000 Hours (L80)

Dimming

0-10V Dimming Standard, 10% down to 100%

Operating Temperature

-40°C to 55°C (-40°F to 131°F)

Warranty

5 year Standard
10 year Optional

ORDERING INFORMATION

ECLIPSE / _____ / _____ / _____ / _____ / _____ / _____ / _____ / _____ / _____ / _____ / _____ / _____
 SERIES SIZE WATTAGE CCT DISTRIB. VOLTAGE DRIVER FEATURES FINISH CONTROLS MOUNT. ACC. SHIELDING WARRANTY

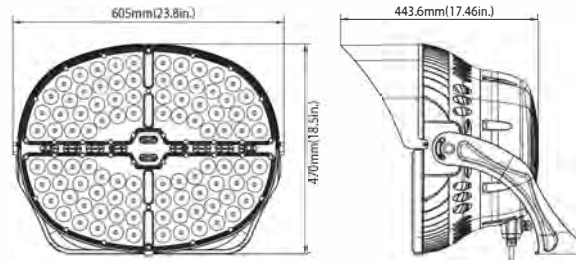
| FIXTURE SERIES | |
|----------------|------------------------------------------------|
| ECLIPSE | High Power LED Sports Lighter |
| SIZE | |
| 16 | 16 Inch Nominal Width (350W, 505W, 600W) |
| 24 | 24 Inch Nominal Width (500W, 600W, 650W, 850W) |
| WATTAGE | |
| 350W | 350 Watt (49,500 - 51,000 lm) (16 In) |
| 505W | 505 Watt (68,000 - 70,000 lm) (16 In) |
| 600W | 600 Watt (80,000 - 82,000 lm) (16 In) |
| 500W | 500 Watt (66,240 - 71,000 lm) (24 In) |
| 650W | 650 Watt (84,480 - 91,000 lm) (24 In) |
| 850W | 850 Watt (107,520 - 118,000 lm) (24 In) |
| CRI/CCT | |
| 40 | 70+ CRI, 4000K CCT |
| 50 | 70+ CRI, 5000K CCT |
| 57 | 70+ CRI, 5700K CCT |

| DISTRIBUTION | |
|-----------------|-------------------------------------------------------------------------------|
| 3H3V | Narrow Flood Distribution (24 In only) |
| 4H4V | Medium Flood Distribution |
| VOLTAGE | |
| UNV | Universal 120-277VAC |
| UHV | Universal High 347-480VAC |
| UTV | Universal High 277-480VAC (650W Only) |
| DRIVER FEATURES | |
| 10V | 0-10V Dimming |
| FINISH | |
| BL | Black Powder Coat Finish (Standard) (24 Inch has Orange Trim and Red Trunion) |

| CONTROLS | |
|----------------------|---------------------------------------------------------------|
| INTS | Integrated Control Sensor |
| MOUNTING ACCESSORIES | |
| TRNN | Trunion Bracket (Standard) (24 In Trunion is Red in Color) |
| TBAT | Trunion Bracket Adapter for 2-3/8 In Tenon (Order Separately) |
| AIMS | Sports Field Aiming Sight (Order Separately) |
| SHIELDING | |
| TVBS | Top Visor Shield with Black Finish (Standard) |
| HFGS | Half Face Glare Shield (Order Separately) |
| WARRANTY | |
| - | 5 Year Warranty (Standard) |
| 10Y | 10 Year Warranty |

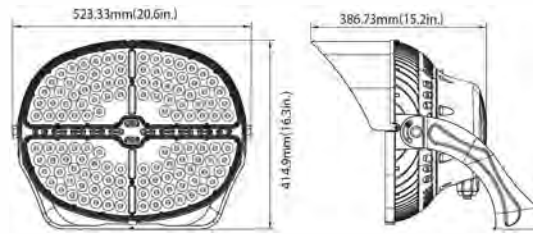
DIMENSIONS

Large Size



Net Weight :
500W : 56.30 lb 600W : 56.30 lb 650W : 63.47 lb 850W : 63.47 lb

Small Size



Net Weight :
350W : 37.56 lb 505W : 39.26 lb 600W : 40.99 lb

PHOTOMETRICS







PERFORMANCE DATA

| SIZE | SYSTEM WATTS | VOLTAGE | NEMA | EPA | CRI | LUMENS (4000K) | LPW (4000K) | LUMENS (5000K) | LPW (5000K) | LUMENS (5700K) | LPW (5700K) |
|------------|--------------|-------------------|-------|--------|-----|----------------|-------------|----------------|-------------|----------------|-------------|
| Small Size | 350W | 120-277V/347-480V | 4Hx4V | 1.8911 | 70 | 51000lm | 146 lm/W | 51000lm | 146 lm/W | 49500lm | 141 lm/W |
| Small Size | 505W | 120-277V/347-480V | 4Hx4V | 1.8911 | 70 | 70000lm | 139 lm/W | 70000lm | 139 lm/W | 68000lm | 135 lm/W |
| Small Size | 600W | 120-277V/347-480V | 4Hx4V | 1.8911 | 70 | 82000lm | 137 lm/W | 82000lm | 137 lm/W | 80000lm | 133 lm/W |
| Large Size | 500W | 120-277V/347-480V | 4Hx4V | 2.5471 | 70 | 71000lm | 142 lm/W | 71000lm | 142 lm/W | 69000lm | 138 lm/W |
| | | | 3Hx3V | 2.5471 | 70 | 68160lm | 136 lm/W | 68160lm | 136 lm/W | 66240lm | 132 lm/W |
| Large Size | 600W | 120-277V/347-480V | 4Hx4V | 2.5471 | 70 | 84000lm | 140 lm/W | 84000lm | 140 lm/W | 82000lm | 137 lm/W |
| | | | 3Hx3V | 2.5471 | 70 | 80640lm | 134 lm/W | 80640lm | 134 lm/W | 78720lm | 131 lm/W |
| Large Size | 650W | 277-480V | 4Hx4V | 2.5471 | 70 | 91000lm | 140 lm/W | 91000lm | 140 lm/W | 88000lm | 135 lm/W |
| | | | 3Hx3V | 2.5471 | 70 | 87360lm | 134 lm/W | 87360lm | 134 lm/W | 84480lm | 130 lm/W |
| Large Size | 850W | 120-277V/347-480V | 4Hx4V | 2.5471 | 70 | 118000lm | 139 lm/W | 118000lm | 139 lm/W | 112000lm | 132 lm/W |
| | | | 3Hx3V | 2.5471 | 70 | 113280lm | 133 lm/W | 113280lm | 133 lm/W | 107520lm | 126 lm/W |

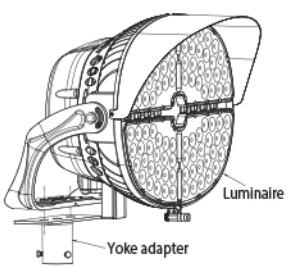

ELECTRICAL DATA

| Number Of Drivers | Driver Current (mA) | Nominal Power (W) | INPUT VOLTAGE (V) | CURRENT (Amps) |
|-------------------|---------------------|-------------------|-------------------|----------------|
| 1 | 2400 | 350 | 120 | 2.92 |
| | | 350 | 208 | 1.68 |
| | | 350 | 240 | 1.46 |
| | | 350 | 277 | 1.26 |
| | | 350 | 347 | 1.01 |
| | | 350 | 480 | 0.73 |
| 1 | 4800 | 500 | 120 | 4.17 |
| | | 500 | 208 | 2.4 |
| | | 500 | 240 | 2.08 |
| | | 500 | 277 | 1.81 |
| | | 500 | 347 | 1.44 |
| | | 500 | 480 | 1.04 |
| 1 | 2350 | 505 | 120 | 4.21 |
| | | 505 | 208 | 2.43 |
| | | 505 | 240 | 2.1 |
| | 2500 | 505 | 277 | 1.82 |
| | | 505 | 347 | 1.46 |
| | | 505 | 480 | 1.05 |
| 1 | 5600 | 600 | 120 | 5 |
| | | 600 | 208 | 2.88 |
| | | 600 | 240 | 2.5 |
| | 5200 | 600 | 277 | 2.17 |
| | | 600 | 347 | 1.73 |
| | | 600 | 480 | 1.25 |
| 1 | 5200 | 650 | 277 | 2.35 |
| | | 650 | 347 | 1.87 |
| | | 650 | 480 | 1.35 |
| 1 | 5500 | 850 | 120 | 7.08 |
| | | 850 | 208 | 4.09 |
| | | 850 | 240 | 3.54 |
| | | 850 | 277 | 3.07 |
| | | 850 | 347 | 2.45 |
| | | 850 | 480 | 1.77 |

ACCESSORIES

| | | | |
|-------------------------------------------------------------------------------------|-------------------------------------------------------------------------------------|--------------------------------------------------------------------------------------|---------------------------------------------------------------------------------------|
|  |  |  |  |
| Top Visor Shield (Default) | Sports Field Aiming Sight (Order Separately) | Integrated Control (Option) | Half Face Glare Shield (Order Separately) |

Mounting Bracket

| | |
|-------------------------------------------------------------------------------------|-------------------------------------------------------------------------------------|
|  |  |
| | Trunion Bracket Adapter for 2-3/8 In Tenon (Order Separately) |