



Client:	
Order #:	
Project:	
Type:	

**DESCRIPTION**

Introducing the Zenara Series, thoughtfully designed with pedestrians in mind. This post-top lamp boasts twin arms supporting a slim superstructure with diverse distribution options such as Pathway, Asymmetrical, and Symmetrical. Its elegant silhouette and customizable lighting elevate pedestrian environments, including outdoor retail spaces, courtyards, universities, and corporate campuses.

The Zenara Selectable Post Top is a cutting-edge LED luminaire designed to optimize savings, streamline installation, and adapt effortlessly. Offering 12 fixtures in 1, it provides four selectable lumen outputs for varied heights and atmospheres, along with three selectable CCT color options. Illuminate your spaces with sophistication and flexibility.

**FEATURES**

- Selectable lumen and CCT packages (5,400lm - 17,200lm) (3000K, 4000K, 5000K CCT)
- High performance UV stabilized optical grade Polymer Optic Lens
- Pole Mount - slips over a 2 3/8" Tenon. Suitable for heights between 8ft-20ft.
- Housing is completely sealed against moisture and environmental contaminants

**CONSTRUCTION & ELECTRICAL**

- Rugged die-cast aluminum housing
- Universal 120-277 input voltage.
- 0-10V dimming allowing for 10% to 100% dimming.
- Power Factor >90%, THD <20%.
- Ambient operating temperature -40°C to 45°C (-40°F to 113°F).

**PERFORMANCE DATA**

<b>CRI</b>	70+
<b>CCT</b>	3000K, 4000K, 5000K
<b>Projected Lifetime</b>	100,000 hours
<b>Dimming</b>	0-10Dimming Standard, 10% down to 100%
<b>Operating Temperature</b>	-40°C to 40°C Ambient
<b>Warranty</b>	5 year Standard 10 Year Extended

**ORDERING INFORMATION**

**ZENARA** / \_\_\_\_\_ / \_\_\_\_\_ / \_\_\_\_\_ / \_\_\_\_\_ / \_\_\_\_\_ / \_\_\_\_\_ / \_\_\_\_\_ / \_\_\_\_\_ / \_\_\_\_\_ / \_\_\_\_\_  
SERIES      WATTAGE      CRI/CCT      DISTRIBUTION      VOLTAGE      DRIVER FEATURES      FINISH      PHOTOCELL      CONTROLS      WARRANTY

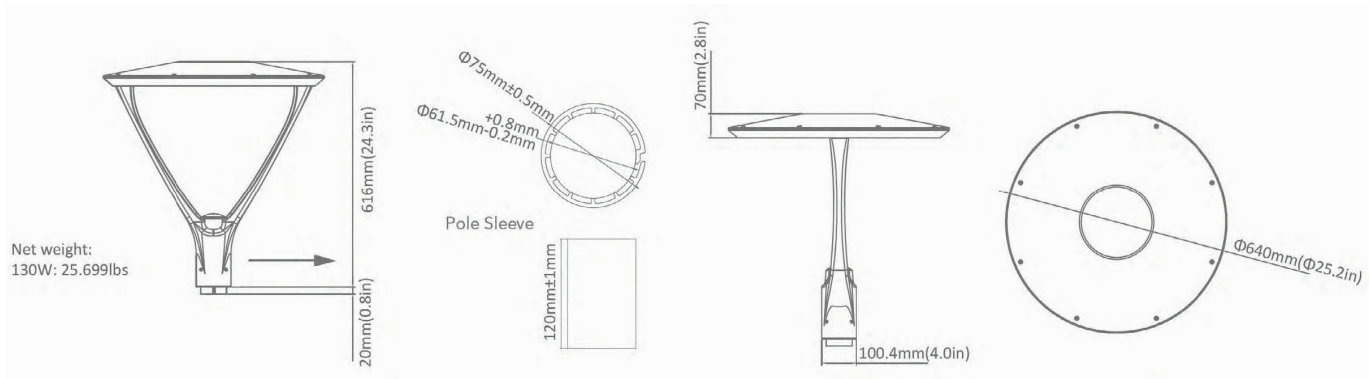
FIXTURE SERIES	
ZENARA	LED Modern Post Top
WATTAGE	
130WS	45W, 70W, 87W, 130W Select. (5,400lm - 17,200lm)
CRI/CCT	
CS	70+CRI, 30K, 40K, 50K CCT Select.
DISTRIBUTION	
T5	Type V General Area Distribution

VOLTAGE	
UNV	Universal 120-277VAC
DRIVER FEATURES	
10V	0-10V Dimming
FINISH	
BZ	Bronze Powder Coat Finish (Standard)
WH	White Powder Coat Finish (MOQ & ext. lead times may apply)
BL	Black Powder Coat Finish (MOQ & ext. lead times may apply)

PHOTOCELL	
PC	120-277 VAC Button Photocell
CONTROLS	
MDLD2L	Motion PIR Occ. & Daylight Harvesting, Direct Mount Line Voltage, Bi-Level
WARRANTY	
-	5 Year Warranty (Standard)
10Y	10 Year Warranty
10YL	10 Year Warranty with Labor



**DIMENSIONS**



**ADJUSTABLE LUMEN OUTPUT TABLE**

SWITCH SETTING	SETTING WATTS	VOLTAGE	CRI	LUMENS 3000K	LPW 3000K	LUMENS 4000K	LPW 4000K	LUMENS 5000K	LPW 5000K
LV1	130W	120-277VAC	70	16000lm	123 lm/W	17200lm	132 lm/W	16300lm	125 lm/W
LV2	87W	120-277VAC	70	11600lm	133 lm/W	12000lm	138 lm/W	11800lm	136 lm/W
LV3	70W	120-277VAC	70	9700lm	139 lm/W	10000lm	143 lm/W	9900lm	141 lm/W
LV4	45W	120-277VAC	70	6500lm	144 lm/W	6700lm	149 lm/W	6600lm	147 lm/W

**ELECTRICAL DATA**

NUMBER OF DRIVERS	DRIVER CURRENT (mA)	NOMINAL POWER (W)	INPUT VOLTAGE (V)	CURRENT (Amps)
1	1120	45	120	0.38
		45	208	0.22
		45	240	0.19
		45	277	0.16
1	1750	70	120	0.58
		70	208	0.34
		70	240	0.29
		70	277	0.25
2	2240	87	120	0.73
		87	208	0.42
		87	240	0.36
		87	277	0.31
2	3500	130	120	1.08
		130	208	0.63
		130	240	0.54
		130	277	0.47