

DESCRIPTION:

REVO's RTL design-driven LED Fixture that effortlessly upgrades fluorescent troffers or parabolics to cutting-edge LED technology. Perfect for commercial spaces like offices, classrooms, healthcare facilities, and retail areas, RTL offers a seamless installation experience and substantial savings.

RTL fixtures are equipped with the latest LED technology, boasting efficacies of up to 152 lumens per watt. Designed with precision, these fixtures deliver consistent and balanced lighting, ensuring a comfortable environment for occupants. The main diffuser and slanted troffer minimize glare, providing soft and dispersed illumination tailored for ultimate comfort.

FEATURES

- Field selectable 3500k (warm/neutral white), 4000k (neutral white) & 5000k (cool white) color temperatures.*
- Long-life LEDs provide at least 196,000 hours of operation with at least 70% of initial lumen output (L70).**
- Provides a range of 4,500 to 5,800 nominal lumens.*
- Uniform illumination with no visible LED pixilation.
- Universal 120-277 AC voltage (50-60Hz) is standard.
- 0-10vdc, continuous dimming capability is standard.
- Power factor > 0.90.
- Total harmonic distortion < 20%.
- Color rendering index (Ra) > 80.
- Steel housing and PMMA lens.
- Easy installation in new construction or retrofit. Fits in standard 2' x 4' grid ceilings.
- Built-in earthquake clips provide secure installation in grid ceilings.
- Standard mounting options include recessed mounting in grid ceilings, or suspended mounting using earthquake clips. For other mounting options, see Mounting Means (page 4)

PERFORMANCE DATA

CRI

80+

CCT

3500K 4000K, 5000K

Projected Lifetime

>196,000 Hours (L70)

Dimming

0-10V Dimming Standard, 10% down to 100%

Operating Temperature

-25°C to 50°C Ambient

Warranty

5 year Standard
10 year Optional

ORDERING INFORMATION

RTL / **HE** / **24** / **40WS** / **CS** / **UNV** / **10V** / **WH** / **SRB** / _____ / _____
SERIES EFFICACY SIZE WATTAGE CCT VOLTAGE DRIVER FEATURES FINISH CONTROLS EMERG. BATT. WARRANTY

FIXTURE SERIES	
RTL	LED Center Basket Troffer
EFFICACY	
HE	High Efficacy (140+ LPW)
STD	Standard Efficacy (130+ LPW)
SIZE	
14	1x4 Nominal Size
22	2x2 Nominal Size
24	2x4 Nominal Size
WATTAGE*	
35WS	22W, 30W, 35W Select. (3,080 - 4,900lm)(HE)(1x4, 2x2)
45WS	22W, 35W, 45W Select. (3,080 - 6,300lm) (HE) (2x4)
30WS	20W, 25W, 30W Select. (2,600 - 3,900lm) (STD) (1x4, 2x2)
34WS	25W, 30W, 34W Select. (3,250 - 4,500lm) (STD)(2x4)

CCT	
CS	80+ CRI, 35K, 40K, 50K CCT Select.
VOLTAGE	
UNV	Universal 120-277VAC
DRIVER FEATURES	
10V	0-10V Dimming
12A	12V Aux Power & 0-10V Dimming
FINISH	
WH	White Finish

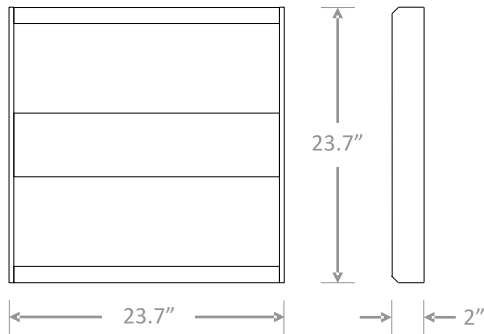
CONTROLS	
SRB	Sensor Ready Plug'n'Play Bracket (Standard)
MDLP	Motion PIR Occ. & Daylight Harv., Plug'n'Play
MDLPBA	Motion PIR Occ. & Daylight Harv., Plug'n'Play, Bluetooth App
EMERGENCY BATT. BACKUP	
EM8	8 Watt (900 lm) 90 Min. Emerg. Batt.
EM15	15 Watt (1500 lm) 90 Min. Emerg. Batt.
WARRANTY	
-	5 Year Warranty (Standard)
10Y	10 Year Warranty
10YL	10 Year Warranty with Labor

*Delivered Lumens based on 4000K



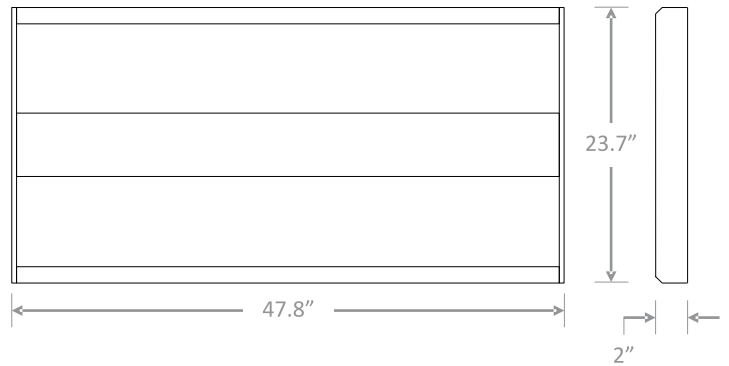
DIMENSIONS

RTL 2x2



Weight: 7 lbs.

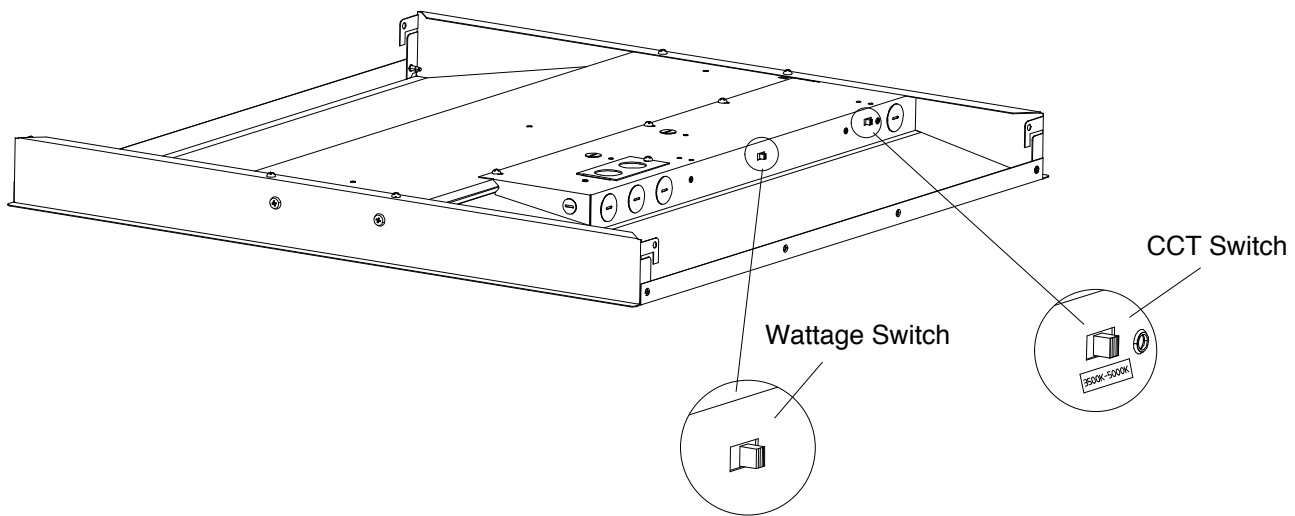
RTL 2x4



Weight: 11 lbs.

INSTALLATION INSTRUCTION

Field-Adjustable Wattage & CCT



The end users may adjust the color temperature and lumen output respectively by the two DIP switch. Each DIP switch is accommodated with 3 options (left, middle and right), corresponding to 3 color temperatures and 3 powers respectively, which can perform the desired color temperature and lumen output combination.

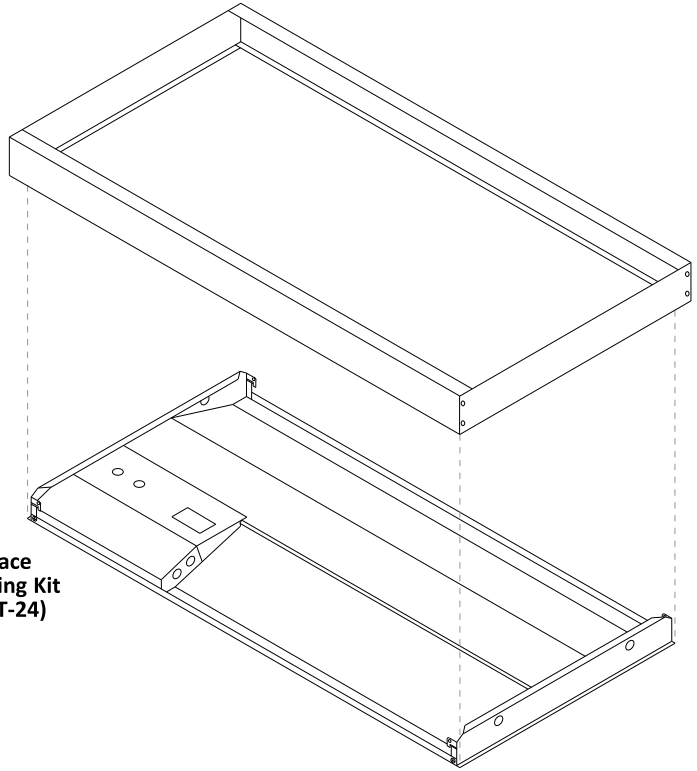
Factory Settings:

Select a wattage and color temperature by sliding switch left or right respectively to the desired value.

MOUNTING MEANS – ORDER SEPARATELY

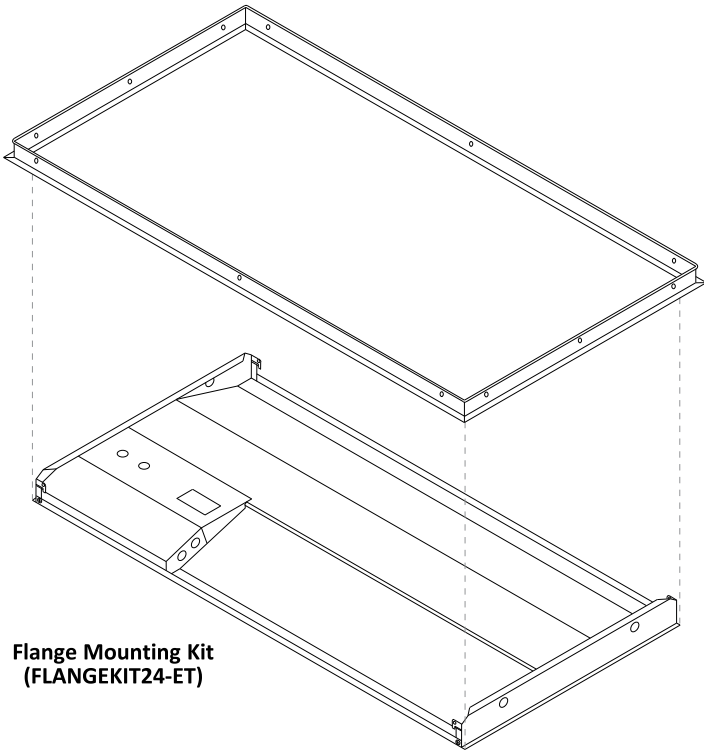
- Optional surface mounting kits (SMKT-24) mounts below the ceiling.
- Optional flange mounting kits provide for recessed installation on plaster or other hard ceilings. Attach Flange Mount Kit (FLANGEKIT24-ET) to ceiling joists or other stationary structures, and the panel is mounted flush to the ceiling.
- Optional cable mounting kits provide additional security, as well as suspended mounting. Attach one end of the Cable Mount Kit (PNL-CM) to luminaire earthquake clips using spring clips, and attach the other end to stationary structures using the adjustable, locking ceiling attachment (see picture below right).

3 ¾"
↓
↑



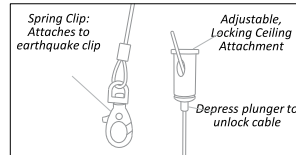
Surface Mounting Kit (SMKT-24)

1 ½"
↓
↑



Flange Mounting Kit (FLANGEKIT24-ET)

Cable Mounting Kit



Cable Mount Kit:

- Spring Clip
- Adjustable, locking ceiling attachment