

Client:	
Order #:	
Project:	

**DESCRIPTION**

The indirect LED troffer offers a traditional modern design with the latest lighting technology. Transparent optics engineered specifically for LED sources are integrated with minimalist design and architectural materials to create a broad range of solutions with superior optical and energy performance. High performing optics allows for maximum energy savings and optimal illumination in a ultra-minimalistic shallow recessed fixture, provides a unique translucent appearance without sacrificing performance.

It is architectural recessed lighting solution that compatible for commercial and institutional environments, including office building, medical, health, educational, retail, hotel, airport, hospitality, etc.

**FEATURES**

- Available in 2X2 and 2X4 Sizes
- Transparent Optics
- Wattage and CCT adjustable
- Recessed form factor fits most 15/16" and 9/16" T-grid systems

**CONSTRUCTION & ELECTRICAL**

- Extruded aluminum housing
- White powder coat finish providing long term performance and superior aesthetic
- Universal 120-277 input voltage
- 0-10V dimming
- Power Factor >0.9, THD <20%
- Damp rated in operating ambient temperatures of -20°C - 40°C

**PERFORMANCE DATA**

**CRI**

80+

**CCT**

3000K, 3500K, 4000K

**Projected Lifetime**

>50,000 Hours (L70)

**Dimming**

0-10V Dimming Standard, 10% down to 100%

**Operating Temperature**

-20°C to 40°C Ambient

**Warranty**

5 year Standard  
10 year Optional

**ORDERING INFORMATION**

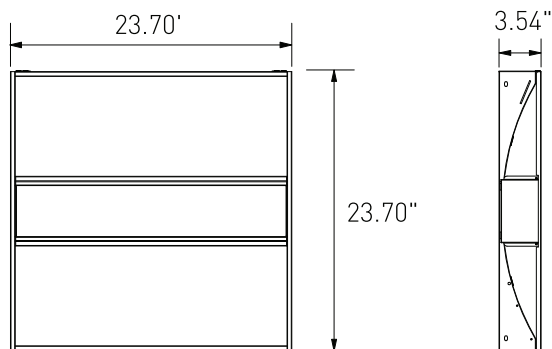
<b>AIR</b>	/		/		/		/		/		/		/		/		/	
SERIES		SIZE		WATTAGE		CCT		VOLTAGE		DRIVER FEATURES		FINISH		EMERG. BATT.		WARRANTY		

FIXTURE SERIES	
AIR	LED Floating Indirect Troffer
SIZE	
22	2 x 2 Nominal Size
24	2 x 4 Nominal Size
WATTAGE	
40WS	20W, 30W, 40W Select. (2,200 - 4,400 lm) (2x2)
50WS	30W, 40W, 50W Select. (3,300 - 5,500 lm) (2x4)
CCT	
CS	80+CRI, 30K, 35K, 40K CCT Select.
VOLTAGE	
UNV	Universal 120-277VAC

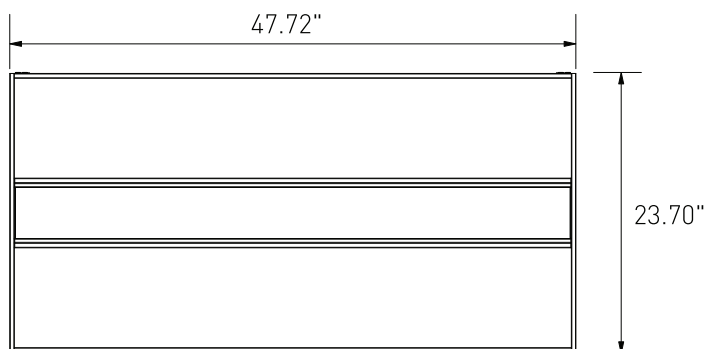
DRIVER FEATURES	
10V	0-10V Dimming
BTA	Bluetooth Controller and Power Pack with App Control
FINISH	
WH	White Powder Coat Finish (Standard)
EMERGENCY BATT. BACKUP	
EM8	8W 90 Min. Emergency Battery Backup
WARRANTY	
-	5 Year Warranty (Standard)
10Y	10 Year Warranty

**DIMENSIONS**

2x2ft



2x4ft



**T-GRIDS CEILING COMPATIBILITY**

It is architectural recessed lighting solution that compatible with most 15/16" and 9/16" t-grid systems for commercial and institutional environment. The following are only as some common examples to show.

9/16" Flat



Suprafine® XL

9/16" Slot

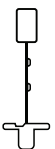


Silhouette® 1/4" XL



Silhouette® 1/8" XL

9/16" Interlude

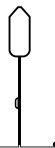


Interlude® XL



Sonata® XL

15/16" Flat



Prelude® XL

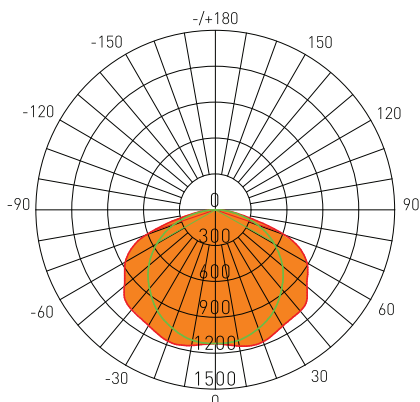


Clean Room

\*Please verify compatibility with factory.

**DISTRIBUTION DIAGRAM**

2'x2' / 3500K



AVERAGE BEAM ANGLE(50%): 131.7°

Test Number: TT22-DM-04W      UNIT:cd  
 Lumens: 4176.3 Lm      — C0/180,142.4  
 Watts: 37.54 W      — C90/270,120.9  
 LPW: 111.25 Lm/W  
 CCT: 3500K

Zonal Flux Diagram

τ	C0	C45	C90	C135	C180
10	1157	1135	1109	1132	1152
20	1173	1137	1056	1130	1168
30	1124	1084	977.9	1075	1118
40	1105	998.6	863.3	985.1	1090
50	999.8	923.2	733.5	902.0	992.9
60	883.4	772.7	570.2	758.8	868.6
70	615.3	567.1	381.9	552.9	618.6
80	191.9	213.5	168.0	217.0	190.9
90	1.700	1.859	1.366	1.957	2.187
100	2.024	1.918	1.081	1.844	1.101
110	3.018	2.687	1.908	2.654	1.854
120	3.523	2.799	2.082	2.732	1.920
130	3.279	2.414	2.692	2.378	1.938
140	2.295	1.607	2.463	1.499	1.956
150	2.206	0.8639	2.039	0.9721	1.678
160	1.662	0.8615	2.106	1.014	1.721
170	1.850	1.026	2.062	1.154	1.711
180	1.683	1.091	2.463	1.269	1.680
DEG	LUMINOUS INTENSITY:cd				

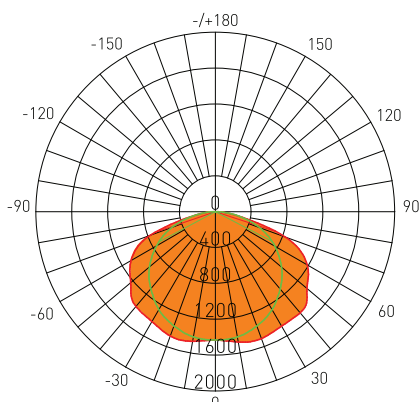
Zonal Lumens

τ	φ total
0-10	107.6
10-20	428.0
20-30	935.2
30-40	1579
40-50	2310
50-60	3044
60-70	3686
70-80	4070
80-90	4164
90-100	4166
100-110	4168
110-120	4170
120-130	4172
130-140	4174
140-150	4175
150-160	4176
160-170	4176
170-180	4176
	UNIT: lm

Luminance cd/(m2)

G(DEG)	C0/180	C90/270
85	10615	8417
80	11061	9663
75	14172	10589
70	18004	11156
65	18637	11393
60	17682	11393
55	16434	11394
50	15566	11400
45	15284	11333

2'x4' / 3500K



AVERAGE BEAM ANGLE(50%): 133.4°

Test Number: TT24-DM-04W      UNIT:cd  
 Lumens: 5460.4 Lm      — C0/180,142.8  
 Watts: 48.81 W      — C90/270,124.1  
 LPW: 111.87 Lm/W  
 CCT: 3500K

Zonal Flux Diagram

τ	C0	C45	C90	C135	C180
10	1476	1453	1419	1442	1467
20	1506	1462	1356	1431	1475
30	1475	1412	1264	1363	1415
40	1472	1332	1124	1261	1380
50	1334	1257	965.4	1162	1233
60	1183	1052	764.1	969.1	1087
70	829.5	785.9	526.3	724.8	776.3
80	233.4	277.8	238.8	270.1	223.4
90	1.578	2.350	14.28	2.462	1.629
100	1.451	2.109	2.911	2.214	1.815
110	2.116	2.843	2.507	2.676	2.042
120	2.355	2.863	1.316	2.762	2.115
130	2.238	2.051	1.134	1.924	1.950
140	1.839	1.085	0.9668	0.8426	1.870
150	1.415	0.7827	0.9557	0.7437	1.752
160	1.088	0.7829	1.002	0.7228	1.633
170	1.312	0.8800	1.262	0.9410	1.667
180	1.390	0.9644	1.314	1.081	1.632
DEG	LUMINOUS INTENSITY:cd				

Zonal Lumens

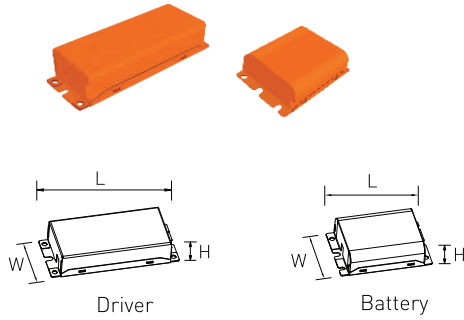
τ	φ total
0-10	137.5
10-20	546.5
20-30	1197
30-40	2032
40-50	2987
50-60	3952
60-70	4807
70-80	5325
80-90	5448
90-100	5451
100-110	5454
110-120	5456
120-130	5458
130-140	5459
140-150	5459
150-160	5460
160-170	5460
170-180	5460
	UNIT: lm

Luminance cd/(m2)

G(DEG)	C0/180	C90/270
85	11179	12390
80	13456	13747
75	18946	14805
70	24285	15384
65	24922	15466
60	23686	15279
55	22066	15111
50	20773	15016
45	20368	14854

## EMERGENCY OPTION

Up to 120 minutes in event of power failure



Model		L	W	H
EM8W	Driver	5.08	2.05"	0.99"
	Battery	3.47"	2.33"	0.97"

## Specifications

Output Power	8 Watts
Output Voltage	15-54V DC
Input Current	70 mA (Max)
Input Power	3.2 Watts (Max)
Input Voltage	100-277VAC, 50-60Hz
Emergency Operation	≥90 Minutes
Standby Power	< 0.4W
Operating Temp	0°C to 50°C
Battery	Lithium
Recharge	24 Hrs
Compatible LED Luminaire	LED Driver Output Current: 5A Max
Dimensions	Driver: L5.08"×W2.05"×H0.99", Battery: L3.47"×W2.33"×H0.97"
Certificate	UL , CEC
Output Class	UL LELV (Output protection self-resetting)

