



Client:	
Order #:	
Project:	
Type:	



**DESCRIPTION**

RECP is a cost-effective, energy-saving LED light canopy fixture for surface mount applications in commercial buildings, retail, and educational facilities. Thin design, though, the housing provides excellent heat dissipation which prolongs its lifespan. The precision-designed optical lens reduces glare, improves optical performance and provides comfortable lighting effects. The RECP is equipped with an external quick-mounting plate suitable for standard J-BOX mount and also compatible with 3/4" pendant mount, with 1/2" knock-out holes reserved on three sides, suitable for surface conduit wiring installation. RECP also has high return benefits, it supports 4 lumen package selectable (100%, 80%, 60%, 40%); and Three CCTs selectable (3000K, 4000K, 5000K).

**FEATURES**

- One-piece die-cast aluminum housing secures the thermally conductive LED panel and electrical chamber.
- Casting thermally conducts LED heat to optimize performance and long life.
- With corrosion-resistant powder coating that provides protection and architectural appearance while adapting well to the environment in the garage.

**CONSTRUCTION & ELECTRICAL**

- Light engines are available in color tunable version, the CCT can be changed to 3000K/4000K/5000K.
- Scalable Lumen Packages from 3,700 to 16,500 Lumens.
- Anti-UV prismatic translucent lens is designed to shape the light distribution and uniformity.

**PERFORMANCE DATA**

**EFFICACY**  
130 -171 LPW

**CRI/CCT**  
70+ CRI, 30K, 40K, 50K Select.

**Projected Lifetime**  
>50,000 Hours (L70)

**Dimming**  
0-10V Dimming Standard,  
10% down to 100%

**Operating Temperature**  
-40°C to 40°C Ambient

**Warranty**  
5 year Standard  
10 Year Extended

**ORDERING INFORMATION**

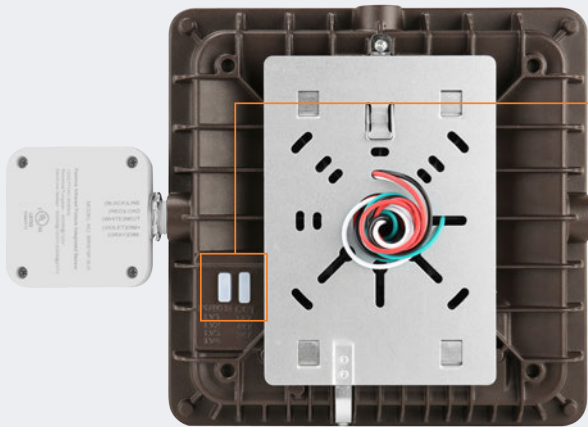
**RECP** / \_\_\_\_\_ / \_\_\_\_\_ / \_\_\_\_\_ / \_\_\_\_\_ / \_\_\_\_\_ / \_\_\_\_\_ / \_\_\_\_\_ / \_\_\_\_\_ / \_\_\_\_\_ / \_\_\_\_\_ / \_\_\_\_\_  
SERIES                      SIZE                      WATTAGE                      CCT                      VOLTAGE                      DRIVER FEATURES                      FINISH                      PHOTOCELL                      CONTROLS                      EMERG. BATT.                      BUY AMERICA                      WARRANTY

FIXTURE SERIES	
RECP	LED Square Canopy Light
SIZE	
10	10 Inch Nominal Diameter (60WS)
12	12 Inch Nominal Diameter (110WS)
WATTAGE*	
60WS	24W, 36W, 47W, 60W Select. (3,700 - 8,400 lm)
110WS	41W, 63W, 85W, 110W Select. (6,800 - 16,500 lm)
CRI/CCT	
CS	70+ CRI, 30K, 40K, 50KT CCT Select.
VOLTAGE	
UNV	Universal 120-277VAC

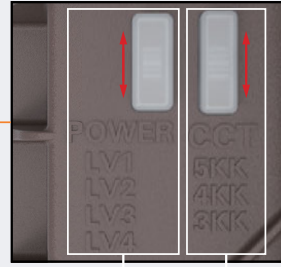
DRIVER FEATURES	
10V	0-10V Dimming
FINISH	
BZ	Bronze Powder Coat Finish (Standard)
BL	Black Powder Coat Finish (MOQ & ext. lead times may apply)
WH	White Powder Coat Finish (MOQ & ext. lead times may apply)
CU	Custom Color (Contact Factory)
PHOTOCELL	
PC	120-277 VAC Photocell
CONTROLS	
MWI	Motion Sensor, Microwave Occ., Line Voltage, Internal Mount
ME	Motion PIR Occ. Line Voltage, End Mount
MWDLI	Motion Sensor, Microwave Occ., Daylight Harvesting, 12V, Internal Mount
RC-100	Remote Control for ME Sensor Settings (Order Separately)
HD03R	Remote Control for MWI/MWDLI Sensor Settings (Order Separately)

EMERGENCY BATT. BACKUP	
EM5	5 Watt (900 lm) 90 Min. Emerg. Batt.
BUY AMERICA	
-	Standard Production and Assembly
TAA	Trade America Act Compliant <small>(CoO: Cambodia - MOQ &amp; Ext. Lead may apply)</small>
WARRANTY	
-	5 Year Warranty (Standard)
10Y	10 Year Warranty
10YL	10 Year Warranty with Labor





**ME - PIR End Mount Sensor Shown**



**CCT AND WATTAGE SELECTABLE**  
This fixture has the function of adjusting the lumens output and color temperature on-site.

**WATTAGE SELECT**

40% 60% 80% 100%

Each model supports 4 positions  
wattage regulation :  
100%, 80%, 60%, 40%

**CCT SELECT**

3000K 4000K 5000K

Offer three CCT adjustable  
(3000K, 4000K, 5000K) .



**Mounting Bracket**

Suitable for J-BOX mounting, and easy for installation, also support pendant mounting, wires coming out from the back for easier wire connections.

**1/2inch knock hole**

Support wires coming from the hole for easier wire connections.  
Optional PIRsensor and Emergency Battery.

**Built in sensor**

Microwave sensor, compact sized, DC input, and remote control.  
Optional daylight function with sensitive sensing when detect movement.



**Photometry**

Parking Garage Photometry and polycarbonate optical lens with heat resisting.

**Housing**

One piece die cast housing better waterproofing ,suitable for both indoor and outdoor application.

**PERFORMANCE DATA**

<b>RECP - 60WS</b>							
SETTING	SETTING WATTS	3000K		4000K		5000K	
		LUMENS	LPW	LUMENS	LPW	LUMENS	LPW
100%	60W	7800lm	130 lm/W	8400lm	140 lm/W	8000lm	133 lm/W
80%	47W	6500lm	138 lm/W	7000lm	149 lm/W	6600lm	140 lm/W
60%	36W	5200lm	144 lm/W	5600lm	156 lm/W	5300lm	147 lm/W
40%	24W	3700lm	154 lm/W	4000lm	167 lm/W	3800lm	158 lm/W

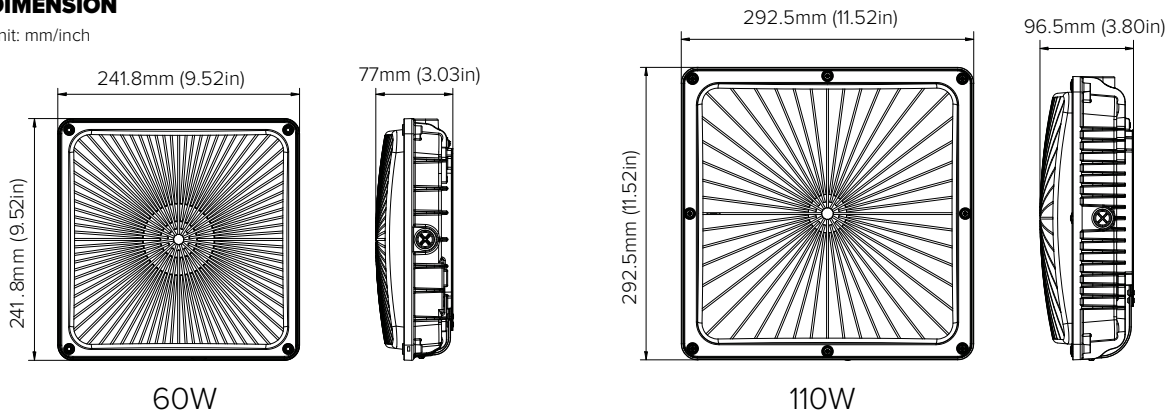
<b>RECP - 110WS</b>							
SETTING	SETTING WATTS	3000K		4000K		5000K	
		LUMENS	LPW	LUMENS	LPW	LUMENS	LPW
100%	110W	15500lm	141 lm/W	16500lm	150 lm/W	16000lm	145 lm/W
80%	85W	12800lm	151 lm/W	13600lm	160 lm/W	13000lm	153 lm/W
60%	63W	9800lm	156 lm/W	10500lm	167 lm/W	10000lm	159 lm/W
40%	41W	6800lm	166 lm/W	7200lm	176 lm/W	7000lm	171 lm/W

**ELECTRICAL DATA**

NUMBER OF DRIVERS	DRIVER CURRENT (mA)	NOMINAL POWER (W)	INPUT VOLTAGE (V)	CURRENT (Amps)
1	900	60	120	0.50
		60	208	0.29
		60	240	0.25
		60	277	0.22
		60	347	0.17
1	850	110	120	0.92
		110	208	0.53
		110	240	0.46
		110	277	0.40
		110	347	0.32

**DIMENSION**

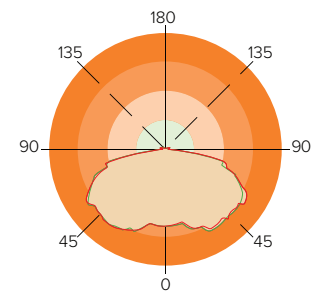
unit: mm/inch



**MOUNTING**



**PHOTOMETRICS**



**ACCESSORIES (Optional)**

		
Emergency Battery Backup Description: 5W 800lm 90min	PIR Sensor, 120-277V Description: External sensor can be pre-installed in factory or field installed.	Microwave Sensor, 12V Description: Sensor can be built-in fixture.