



Client:	
Order #:	
Project:	
Type:	



**DESCRIPTION**

The COMET architectural LED full cut-off wall pack seamlessly blends functionality with a modern look and feel. High performance LEDs and a durable LED driver work together to provide area lighting around your building. Complete your project and offer an aesthetically pleasing exterior fixture to round out your bill of materials. Great for many applications including warehousing, retail stores, parking areas, factories, schools and other large institutional campuses.

**FEATURES**

- Selectable Wattage and CCT gives four light output and three CCT options reducing SKUs and making project ordering and logistics easier (65WS only).
- Optional photocell for Dusk to Dawn operation.
- Optional motion sensor for Hi/Lo Bi-level control to maximize energy savings while maintaining minimum light levels for security and safety.
- Optional Emergency Battery Backup Driver for egress lighting.

**CONSTRUCTION & ELECTRICAL**

- Included removal mounting bracket makes installation quick and easy.
- IP65 Wet Location Rated
- Rugged Die cast Aluminum Housing
- UV Stabilized Bronze Powder Coat Finish
- RoHS Compliant with minimal Mercury.
- Standard 0-10V Dimming
- Standard 120-277VAC Input Voltage
- Power Factor ≥ 0.9
- THD ≤ 10%

**PERFORMANCE DATA**

**EFFICACY**

117 - 150 Lumens per Watt (LPW)

**CCT/CRI**

30K, 40K or 50K, 70+ CRI

**RATED LIFE**

>100,000+ Hours (L70)  
>25,000+ Hours (L90)

**LUMEN OUTPUT**

Lumen Output Ranges from 1,800 to 8,621 Lumens

**OPERATING TEMPS**

-40°C to +50°C Ambient

**WARRANTY**

5 year Standard  
10 Year Extended  
10 Year Extended with Labor

**ORDERING INFORMATION**

<b>COMET</b>	/		/		/		/		/		/		/		/		/		/	
SERIES		WATTAGE		CCT		DISTRIBUTION		VOLTAGE		DRIVER FEATURES		FINISH		PHOTOCELL		CONTROLS		EMERG. BATT.		WARRANTY

FIXTURE SERIES	
COMET	LED Architectural Wall Pack
WATTAGE	
65WS	25W, 45W, 65W Select. (3,125lm – 8,183lm)*
CRI/CCT	
CS	70+CRI, 30K, 40K, 50K CCT Select.
DISTRIBUTION	
FT	Forward Throw Optical Distribution
WT	Wide Throw Optical Distribution

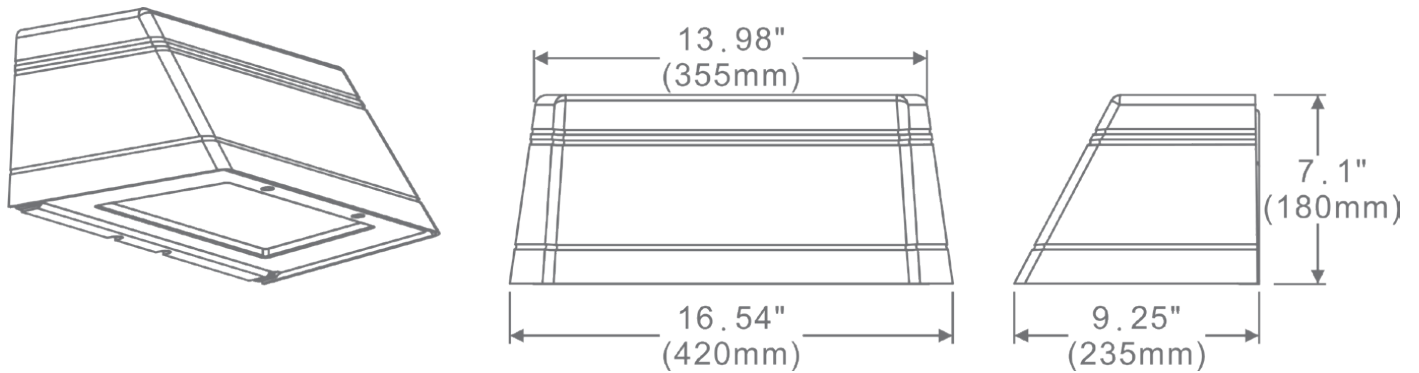
\*Delivered Lumens based on 5000K

VOLTAGE	
UNV	Universal 120-277VAC
DRIVER FEATURES	
10V	0-10V Dimming
12A	12V Aux Power & 0-10V Dimming
FINISH	
BZ	Bronze Powder Coat Finish (Standard)
BL	Black Powder Coat Finish (MOQ & ext. lead times may apply)
WH	White Powder Coat Finish (MOQ & ext. lead times may apply)
CU	Custom Color (Contact Factory)

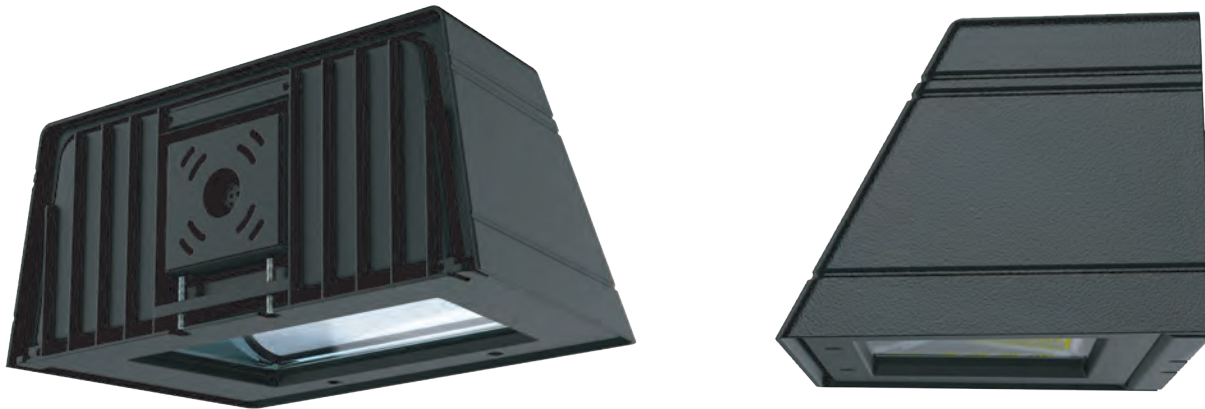
PHOTOCELL	
PC	120-277 VAC Button Photocell
CONTROLS	
MWD	Motion Sensor, Microwave Occupancy, Direct Mount
MDLD	Motion PIR Occ. & Daylight Harv., Direct Mount
MDLDBA	Motion PIR Occ. & Daylight Harv., Direct Mount, Aux 12V Input, Bluetooth App Control
EMERGENCY BATT. BACKUP	
EM8	8 Watt (900 lm) 90 Min. Emerg. Batt.
SURGE PROTECTION	
10KV	10,000 V Surge Protection
WARRANTY	
-	5 Year Warranty (Standard)
10Y	10 Year Warranty
10YL	10 Year Warranty with Labor



**DIMENSIONS**



**OTHER VIEWS**



**EMERGENCY BATTERY OPERATION**

The emergency battery backup (EM option) is integral to the luminaire - no external housing required! This design provides reliable emergency operation while maintaining the aesthetics of the product. Included metal test button makes scheduled maintenance and emergency battery operation verification easy with no need to open the fixture.

The emergency battery will power the luminaire for a minimum duration of 90 minutes (maximum duration of three hours) from the time supply power is lost, per International Building Code Section 1006 and NFPA 101 Life Safety Code Section 7.9, provided luminaires are mounted at an appropriate height and illuminate an open space with no major obstructions.

The examples below show illuminance of 1.0 fc average and 0.1 fc minimum of the single-engine Type IV product in emergency mode.

