



Client:	
Order #:	
Project:	
Type:	



**DESCRIPTION**

The RMDD Dusk-til-Dawn Area Light is the perfect solution for replacement of exterior pole or building mounted fixtures. Typically found over barns, industrial areas, maintenance yards, garages, or anywhere nighttime safety lighting is required. High efficacy and economical pricing large institutional campuses.

**FEATURES**

- Selectable Wattage and CCT gives four light output and three CCT options reducing SKUs and making project ordering and logistics easier (72WS only).
- Optional photocell for Dusk to Dawn operation.
- Optional Pole Mount Arm Kit for pole mounting applications.

**CONSTRUCTION & ELECTRICAL**

- IP65 Wet Location Rated
- Rugged Die cast Aluminum Housing
- UV Stabilized Bronze Powder Coat Finish
- RoHS Compliant with minimal Mercury.
- Standard 0-10V Dimming
- Standard 120-277VAC Input Voltage
- Power Factor ≥ 0.9
- THD ≤ 10%

**PERFORMANCE DATA**

**EFFICACY**

129 - 159 Lumens per Watt (LPW)

**CCT/CRI**

30K, 40K or 50K, 70+ CRI

**RATED LIFE**

>100,000+ Hours (L70)  
>25,000+ Hours (L90)

**LUMEN OUTPUT**

Lumen Output Ranges from 2,550 to 12,000 Lumens

**OPERATING TEMPS**

-40°C to +40°C Ambient

**WARRANTY**

5 year Standard  
10 Year Extended  
10 Year Extended with Labor

**ORDERING INFORMATION**

<b>RMDD</b>	/		/		/		/		/		/		/		/		/		/	
SERIES		WATTAGE		CCT		VOLTAGE		DRIVER FEATURES		FINISH		PHOTOCELL		MOUNTING		BUY AMERICA		WARRANTY		

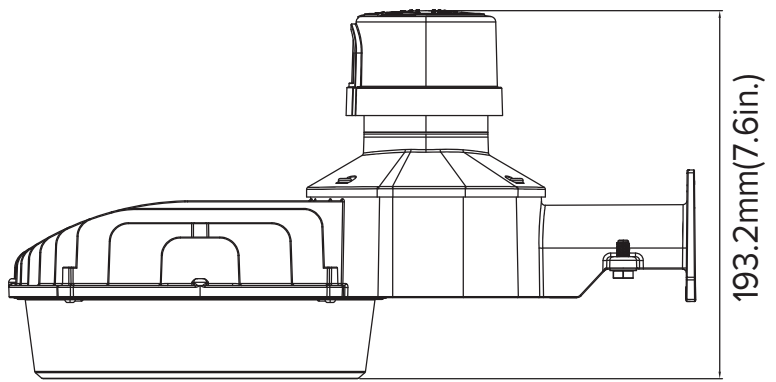
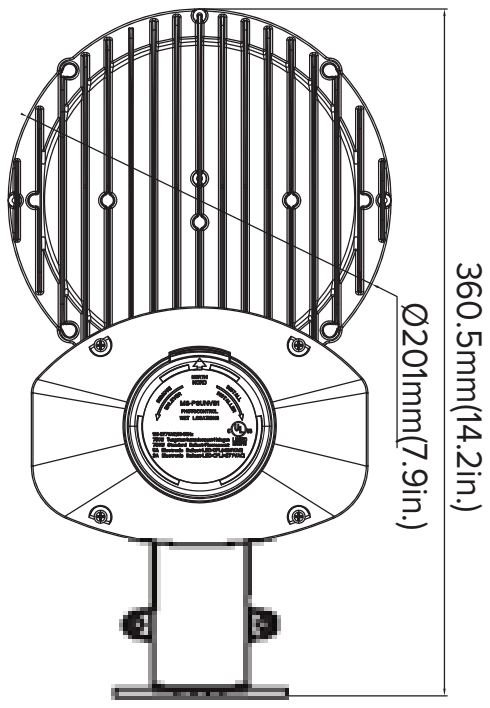
FIXTURE SERIES	
RMDD	LED Dusk-til-Dawn Area Light
WATTAGE	
45WS	18W, 36W, 27W, 45 Watt Slect. (2,550 - 6,200 lm)
65WS	26W, 39W, 52W, 65 Watt Select. (3,700 - 8,800 lm)
80WS	32W, 48W, 64W, 80 Watt Select. (4,800 - 12,000 lm)
CRI/CCT	
CS	70+ CRI, 30K, 40K, 50KT CCT Select.

VOLTAGE	
UNV	Universal 120-277VAC
DRIVER FEATURES	
ND	Non-Dimming
FINISH	
GR	Gray Powder Coat Finish (Standard)
PHOTOCELL	
PC	120-277 VAC Button Photocell

MOUNTING	
PMAK	Pole Mount Arm Kit
BUY AMERICA	
-	Standard Production and Assembly
TAA	Trade America Act Compliant (CoO: Cambodia - MOQ & Ext. Lead may apply)
WARRANTY	
-	5 Year Warranty (Standard)
10Y	10 Year Warranty
10YL	10 Year Warranty with Labor

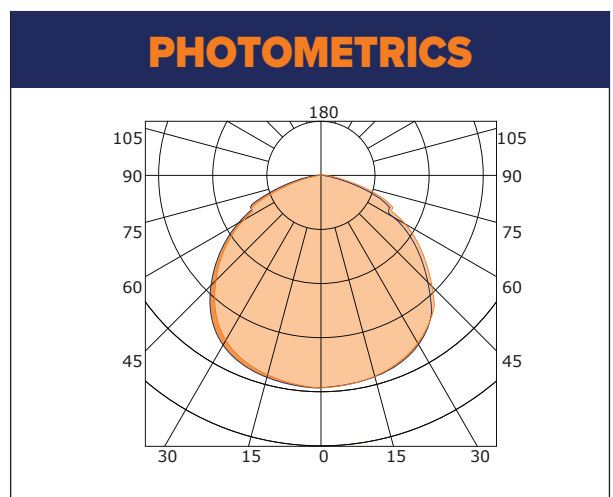


**DIMENSIONS**

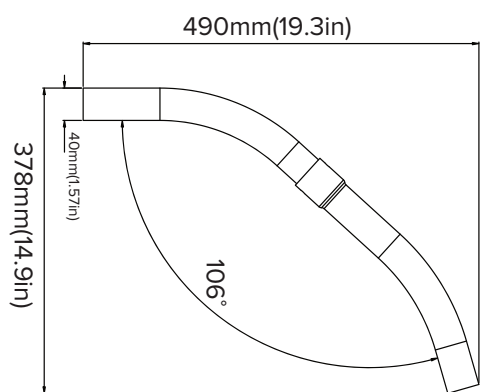


**ACCESSORIES**

	<p>PMAK - Mounting arm kit (Optional) USE: For pole mounting</p>
	<p>PC - Photocell USE: Photocell is field installed or pre-installed in factory by requesting</p>



**PMAK - Mounting arm kit Dimensions**



**CCT AND WATTAGE ADJUSTABLE**

RMDD/45WS								
SWITCH SETTING	SYSTEM WATTS	CRI	3000K		4000K		5000K	
			LUMENS	LPW	LUMENS	LPW	LUMENS	LPW
100%	45W	70	5800lm	129 lm/W	6200lm	138 lm/W	6000lm	133 lm/W
80%	36W	70	4800lm	133 lm/W	5200lm	144 lm/W	5000lm	139 lm/W
60%	27W	70	3700lm	137 lm/W	4000lm	148 lm/W	3850lm	143 lm/W
40%	18W	70	2550lm	142 lm/W	2750lm	153 lm/W	2650lm	147 lm/W

RMDD/65WS								
SWITCH SETTING	SYSTEM WATTS	CRI	3000K		4000K		5000K	
			LUMENS	LPW	LUMENS	LPW	LUMENS	LPW
100%	65W	70	8400lm	129 lm/W	8800lm	135 lm/W	8600lm	132 lm/W
80%	52W	70	7000lm	135 lm/W	7300lm	140 lm/W	7100lm	136 lm/W
60%	39W	70	5400lm	138 lm/W	5700lm	146 lm/W	5500lm	141 lm/W
40%	26W	70	3700lm	142 lm/W	3900lm	150 lm/W	3800lm	146 lm/W

RMDD/80WS								
SWITCH SETTING	SYSTEM WATTS	CRI	3000K		4000K		5000K	
			LUMENS	LPW	LUMENS	LPW	LUMENS	LPW
100%	80W	70	11200lm	140 lm/W	12000lm	150 lm/W	11600lm	145 lm/W
80%	64W	70	9200lm	144 lm/W	9800lm	153 lm/W	9600lm	150 lm/W
60%	48W	70	7000lm	146 lm/W	7500lm	156 lm/W	7400lm	154 lm/W
40%	32W	70	4800lm	150 lm/W	5100lm	159 lm/W	5000lm	156 lm/W

**ELECTRICAL DATA**

Number Of Drivers	Driver Current (mA)	Nominal Power (W)	INPUT VOLTAGE (V)	CURRENT (Amps)
1	770	45	120	0.38
		45	208	0.22
		45	240	0.19
		45	277	0.16
1	1130	65	120	0.54
		65	208	0.31
		65	240	0.27
		65	277	0.23
1	1200	80	120	0.67
		80	208	0.38
		80	240	0.33
		80	277	0.29