



Client:	
Order #:	
Project:	
Type:	



DESCRIPTION

The LUMIPACK LED Semi-cutoff wall pack seamlessly blends the latest LED Technology with a classic look and feel. High performance LEDs and a durable LED driver work together to provide area lighting around your building. Complete your project and offer a classic exterior fixture to round out your bill of materials. Great for many applications including warehousing, retail stores, parking areas, factories, schools and other large institutional campuses.

FEATURES

- Selectable Wattage and CCT gives four light output and three CCT options reducing SKUs and making project ordering and logistics easier
- Optional photocell for Dusk to Dawn operation.
- Optional Emergency Battery Backup Driver for egress lighting.

CONSTRUCTION & ELECTRICAL

- IP65 Wet Location Rated
- Rugged Die cast Aluminum Housing
- UV Stabilized Bronze Powder Coat Finish
- RoHS Compliant with minimal Mercury.
- Standard 0-10V Dimming
- Standard 120-277VAC Input Voltage
- Power Factor ≥ 0.9
- THD ≤ 10%

PERFORMANCE DATA

EFFICACY

113 - 128 Lumens per Watt (LPW)

CCT/CRI

30K, 40K or 50K, 70+ CRI

RATED LIFE

>100,000+ Hours (L70)
>25,000+ Hours (L90)

LUMEN OUTPUT

Lumen Output Ranges from 1,800 to 8,621 Lumens

OPERATING TEMPS

-40°C to +50°C Ambient

WARRANTY

5 year Standard
10 Year Extended
10 Year Extended with Labor

ORDERING INFORMATION

LUMIPACK / _____ / _____ / _____ / _____ / _____ / _____ / _____ / _____ / _____
SERIES WATTAGE CCT VOLTAGE DRIVER FEATURES FINISH PHOTOCELL EMERG. BATT. BUY AMERICA WARRANTY

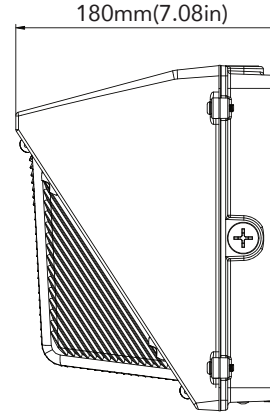
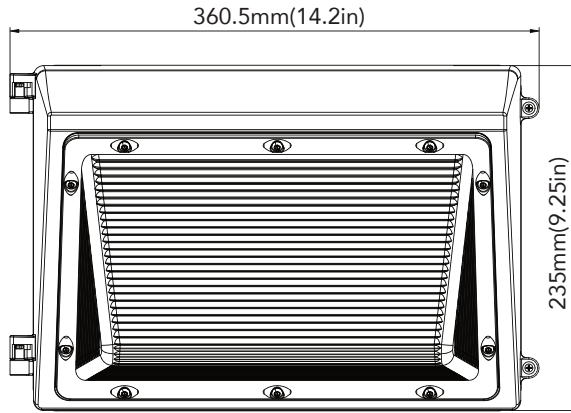
FIXTURE SERIES	
LUMIPACK	Semi-Cutoff LED Wall Pack
WATTAGE	
65WS	26W, 39W, 52W, 65W Select. (3,370 - 8,330 lm)
100WS	40W, 60W, 80W, 100W Select. (5,510 - 12,120 lm)
CRI/CCT	
CS	70+ CRI, 30K, 40K, 50KT CCT Select.
VOLTAGE	
UNV	Universal 120-277VAC

DRIVER FEATURES	
10V	0-10V Dimming
FINISH	
BZ	Bronze Powder Coat Finish (Standard)
BL	Black Powder Coat Finish (MOQ & ext. lead times may apply)
WH	White Powder Coat Finish (MOQ & ext. lead times may apply)
CU	Custom Color (Contact Factory)

PHOTOCELL	
BPC	120-277 VAC Button Photocell
EMERGENCY BATT. BACKUP	
EM5	5 Watt (900 lm) 90 Min. Emerg. Batt.
BUY AMERICA	
-	Standard Production and Assembly
TAA	Trade America Act Compliant <small>(CoD: Cambodia - MOQ & Ext. Lead may apply))</small>
WARRANTY	
-	5 Year Warranty (Standard)
10Y	10 Year Warranty
10YL	10 Year Warranty with Labor

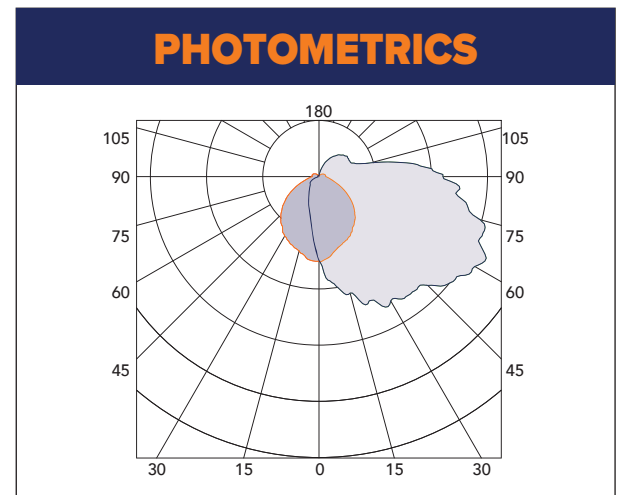


DIMENSIONS



Net Weight
 30W: 6.327lb
 40W: 6.525lb
 65W: 6.724lb
 90W&100W: 7.319lb
 125W: 8.157lb

OTHER VIEWS

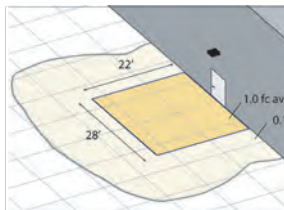
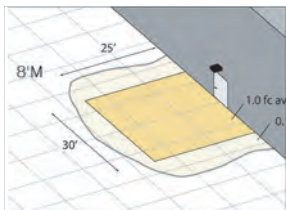


EMERGENCY BATTERY OPERATION

The emergency battery backup (EM option) is integral to the luminaire - no external housing required! This design provides reliable emergency operation while maintaining the aesthetics of the product. Included metal test button makes scheduled maintenance and emergency battery operation verification easy with no need to open the fixture.

The emergency battery will power the luminaire for a minimum duration of 90 minutes (maximum duration of three hours) from the time supply power is lost, per International Building Code Section 1006 and NFPA 101 Life Safety Code Section 7.9, provided luminaires are mounted at an appropriate height and illuminate an open space with no major obstructions.

The examples below show illuminance of 1.0 fc average and 0.1 fc minimum of the single-engine Type IV product in emergency mode.



CCT AND POWER ADJUSTABLE

SYSTEM WATTS	VOLTAGE	CRI	LUMENS (3000K)	LPW (3000K)	LUMENS (4000K)	LPW (4000K)	LUMENS (5000K)	LPW (5000K)
65W	120-277VAC	70	7700lm	118 lm/W	8300lm	128 lm/W	7900lm	122 lm/W
100W	120-277VAC	70	11500lm	115 lm/W	12000lm	120 lm/W	11600lm	116 lm/W

ADJUSTABLE LUMEN OUTPUT TABLE

SETTING	CCT	CRI	SYSTEM WATTS (65W)	LUMENS (65W)	SYSTEM WATTS (100W)	LUMENS (100W)
100%	3000K	70	67.17	7761.40	99.40	11604.80
	4000K	70	63.67	8334.40	94.13	12123.00
	5000K	70	67.30	7950.20	99.88	11702.10
80%	3000K	70	55.34	6695.36	87.62	10620.13
	4000K	70	52.46	7189.66	82.97	11094.36
	5000K	70	55.45	6857.84	88.04	10708.59
60%	3000K	70	40.97	5275.51	62.02	8200.25
	4000K	70	38.84	5664.98	58.73	8566.43
	5000K	70	41.05	5403.75	62.32	8268.70
40%	3000K	70	27.50	3769.14	38.68	5512.80
	4000K	70	26.06	4047.40	36.63	5758.97
	5000K	70	27.55	3860.62	38.87	5558.50

ELECTRICAL DATA

Number Of Drivers	Driver Current (mA)	Nominal Power (W)	INPUT VOLTAGE (V)	CURRENT (Amps)
1	430	30	120	0.25
		30	208	0.14
		30	240	0.13
		30	277	0.11
1	610	40	120	0.33
		40	208	0.19
		40	240	0.17
		40	277	0.14
1	1110	65	120	0.54
		65	208	0.31
		65	240	0.27
		65	277	0.23
1	2270	90	120	0.75
		90	208	0.43
		90	240	0.38
		90	277	0.32
1	2500	100	120	0.83
		100	208	0.48
		100	240	0.42
		100	277	0.36
2	3300	125	120	1.04
		125	208	0.60
		125	240	0.52
		125	277	0.45